

ROBUS®

INDUSTRIAL

SELEST LED FLOOD LIGHT

10W, 20W, 30W, 50W, 100W, 150W, 200W, 300W, IP65



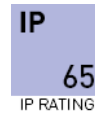
PRODUCT INFORMATION DOCUMENT

FEATURES

- Full range providing energy efficient, low maintenance replacement for metal halide and halogen floodlights up to 1500W/6000W respectively
- Standard and PIR versions with manual override
- Switch on the back of luminaire allows switching colour temperature between 3000K, 4000K and 5000K
- Equipped with self regulating valve to prevent moisture condensation
- Tempered glass providing high impact rating of IK07 for standard and IK06 for PIR version

CONSTRUCTION

- Powder-coated die cast aluminium housing
- Tempered glass diffuser
- Steel bracket and stainless steel screws



Product Code:	RST10CCT3-04	RST20CCT3-04	RST30CCT3-04	RST50CCT3-04	RST100CCT3-04	RST150CCT3-04	RST200CCT3-04	RST300CCT3-04
Standard	RST10CCT3P-04	RST20CCT3P-04	RST30CCT3P-04	RST50CCT3P-04	RST100CCT3-04	RST150CCT3-04	RST200CCT3-04	RST300CCT3-04
Comparable to:	50W metal halide/200W halogen	100W metal halide/400W halogen	150W metal halide/600W halogen	250W metal halide/1000W halogen	500W metal halide/2000W halogen	750W metal halide/3000W halogen	1000W metal halide/4000W halogen	1500W metal halide/6000W halogen
Total Power (W):	9.8	19.8	28.2	48.3	99.3	147.6	194.3	289.7
Power Factor:	0.9	0.97	0.97	0.97	0.97	0.97	0.97	0.97
Total Light Output (lm):	1350	2720	4230	6880	16040	23430	31520	46580
Efficacy (lm/cctW):	138	137	150	142	161	158	162	161
Lux at 1m (lux):	550	1130	1670	2680	5820	8470	11320	16670
CCT (K):	3000/4000/5000	3000/4000/5000	3000/4000/5000	3000/4000/5000	3000/4000/5000	3000/4000/5000	3000/4000/5000	3000/4000/5000
CRI:	80	80	80	80	80	80	80	80
IP:	65	65	65	65	65	65	65	65
Operation Temperature (°C):	-20 ≤ Ta ≤ +50	-20 ≤ Ta ≤ +50	-20 ≤ Ta ≤ +50	-20 ≤ Ta ≤ +50	-20 ≤ Ta ≤ +50	-20 ≤ Ta ≤ +50	-20 ≤ Ta ≤ +50	-20 ≤ Ta ≤ +50
Inrush Current:	8A/20us	16A/20us	25.6A/26us	7.2A/30us	61.6A/21us	62.4A/20us	37.6A/35us	60A/50ns
RG Value:	0	0	0	0	0	0	0	0
SDCM:	6	6	6	6	6	6	6	6
P _{ST} LM:	NA	NA	NA	NA	NA	NA	NA	NA
SVM:	NA	NA	NA	NA	NA	NA	NA	NA
Energy Class:	D	D	C	D	C	D	D	D
Rated Life to L70B50 (Hrs):	50000	50000	50000	50000	50000	50000	50000	50000
Dimensions LxWxH (mm):	135x141x29 135x170x57	135x141x29 135x170x57	160x162x29 160x184x57	200x191x30 200x213x57	300x222x45	355x274x49	390x305x58	480x384x63
Weight (kg):	0.43 0.47	0.44 0.47	0.57 0.61	0.84 0.87	1.9	2.92	3.88	6.2

Separate Control Gear Information

Type of Light Source:	LED	LED	LED	LED	LED	LED	LED	LED
Full Load Efficiency (%):	92	93	94	95	95	96	95	96
P _{NET} (W):	NA	NA	NA	NA	NA	NA	NA	NA
Dimensions (mm):	70x15x17	70x15x20	97x19x21	120x27x20	172x43x25	197x55x25	197x55x25	257x72x25

Product is certified to all the relevant standards.

Please contact our technical department for market specific compliances.

PLEASE NOTE: INFORMATION IN THIS DOCUMENT MAY BE SUBJECT TO CHANGE WITHOUT PRIOR NOTICE

IRE: TEL: +353 1 709 9000
 UK: TEL: 0800 973 220
 AUS: TEL: +61 7 3890 5444
 NZ: TEL: +64 03 668 5285

WEB: ROBUS.COM
 WEB: ROBUS.COM
 WEB: ROBUS.COM.AU
 WEB: ROBUSLED.CO.NZ

LED GROUP EUROPE · UK · AUSTRALIA · NEW ZEALAND · ASIA · MIDDLE EAST · AFRICA

SELEST LED FLOOD LIGHT

10W, 20W, 30W, 50W, 100W, 150W, 200W, 300W, IP65

Cone Illuminance Diagram

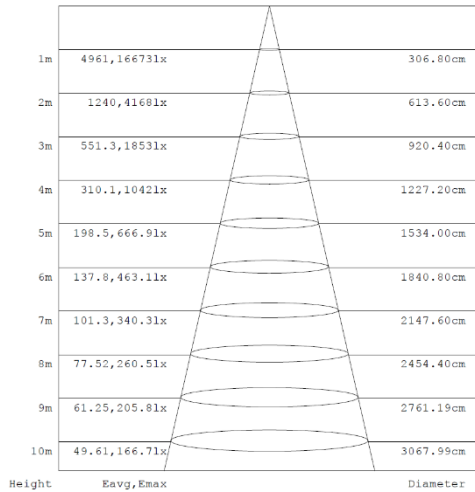


Diagram for RST300CCT3-04 in 4000K. Other diagrams available on request

Polar Intensity Diagram

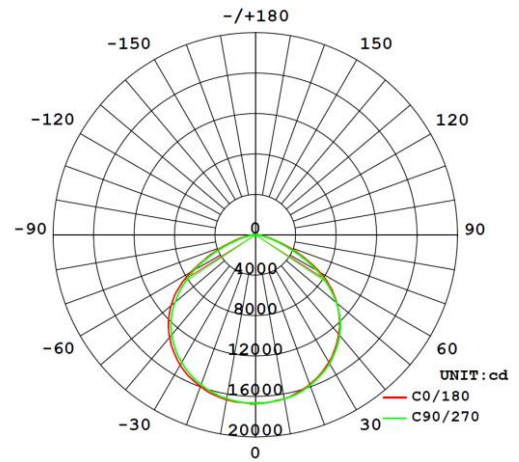
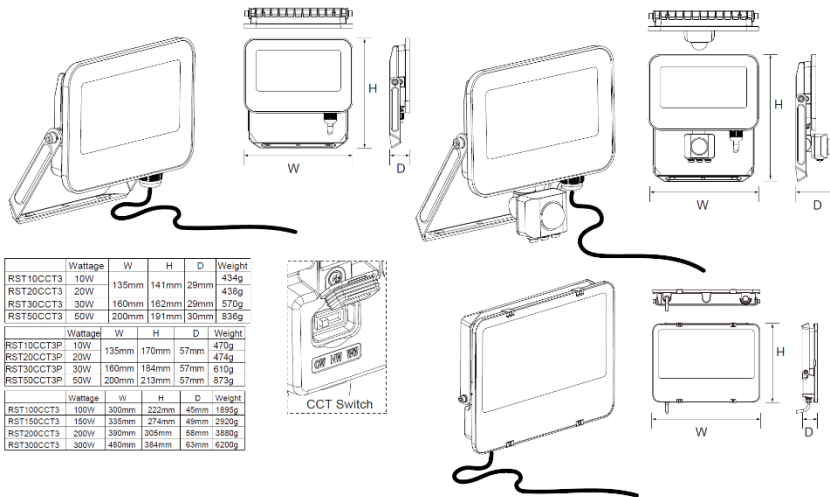


Diagram for RST300CCT3-04 in 4000K. Other diagrams available on request

Dimension Diagram



Accessories

Sensor Data

Time Off Delay:	10sec to 7min
Illuminance Switching Range:	10lx to 2000lx
Sensitivity Range (%):	NA
Mounting Height (max):	NA
Detection Zone Diameter (max):	12m

PLEASE NOTE: INFORMATION IN THIS DOCUMENT MAY BE SUBJECT TO CHANGE WITHOUT PRIOR NOTICE

IRE: TEL: +353 1 709 9000
 UK: TEL: 0800 973 220
 AUS: TEL: +61 7 3890 5444
 NZ: TEL: +64 03 668 5285

WEB: ROBUS.COM
 WEB: ROBUS.COM
 WEB: ROBUS.COM.AU
 WEB: ROBUSLED.CO.NZ

LED GROUP EUROPE · UK · AUSTRALIA · NEW ZEALAND · ASIA · MIDDLE EAST · AFRICA